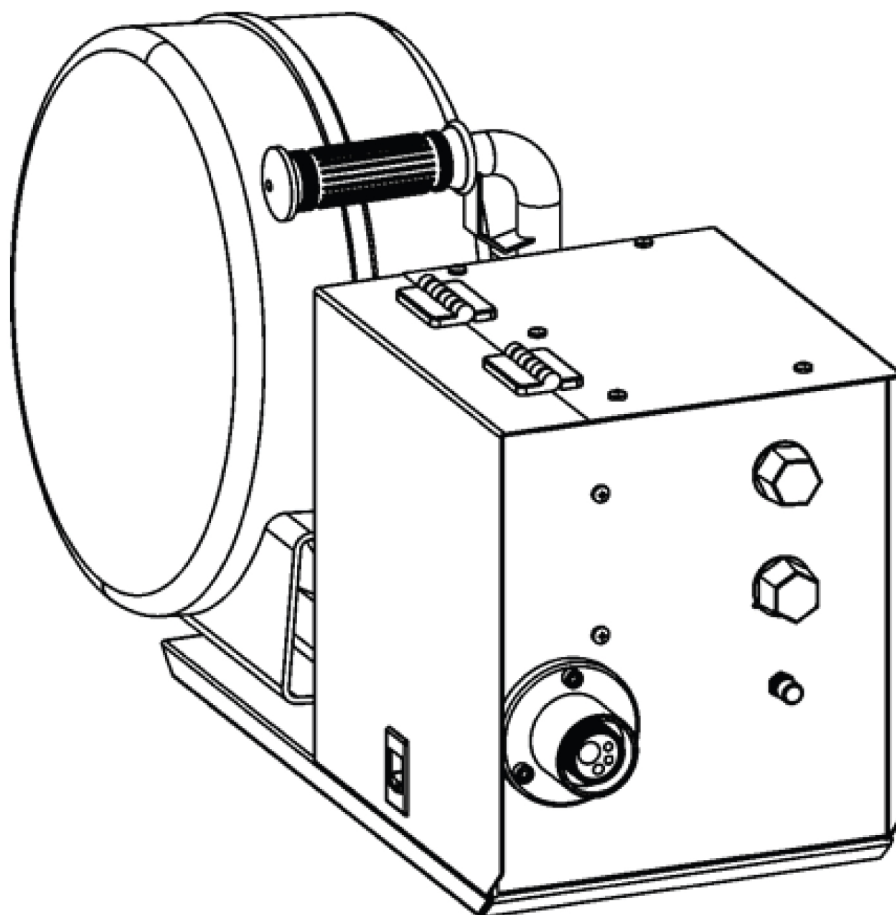


Fabricator Feed 364



Spare parts list

Ordering no. Product

0700 020 004 Fabricator Feed 364

Spare parts may be ordered through your nearest ESAB dealer, see esab.com. When ordering, please state product type, serial number, denominations and ordering numbers according to the spare parts list. This facilitates dispatch and ensures correct delivery.

Maintenance and repair work should be performed by an experienced person, and electrical work only by a trained electrician. Use only recommended spare parts.

TABLE OF CONTENTS

- 1 SPARE PARTS 4
 - 1.1 Feeder 4
 - 1.2 Wire feed mechanism 6
 - 1.3 Wear parts 8

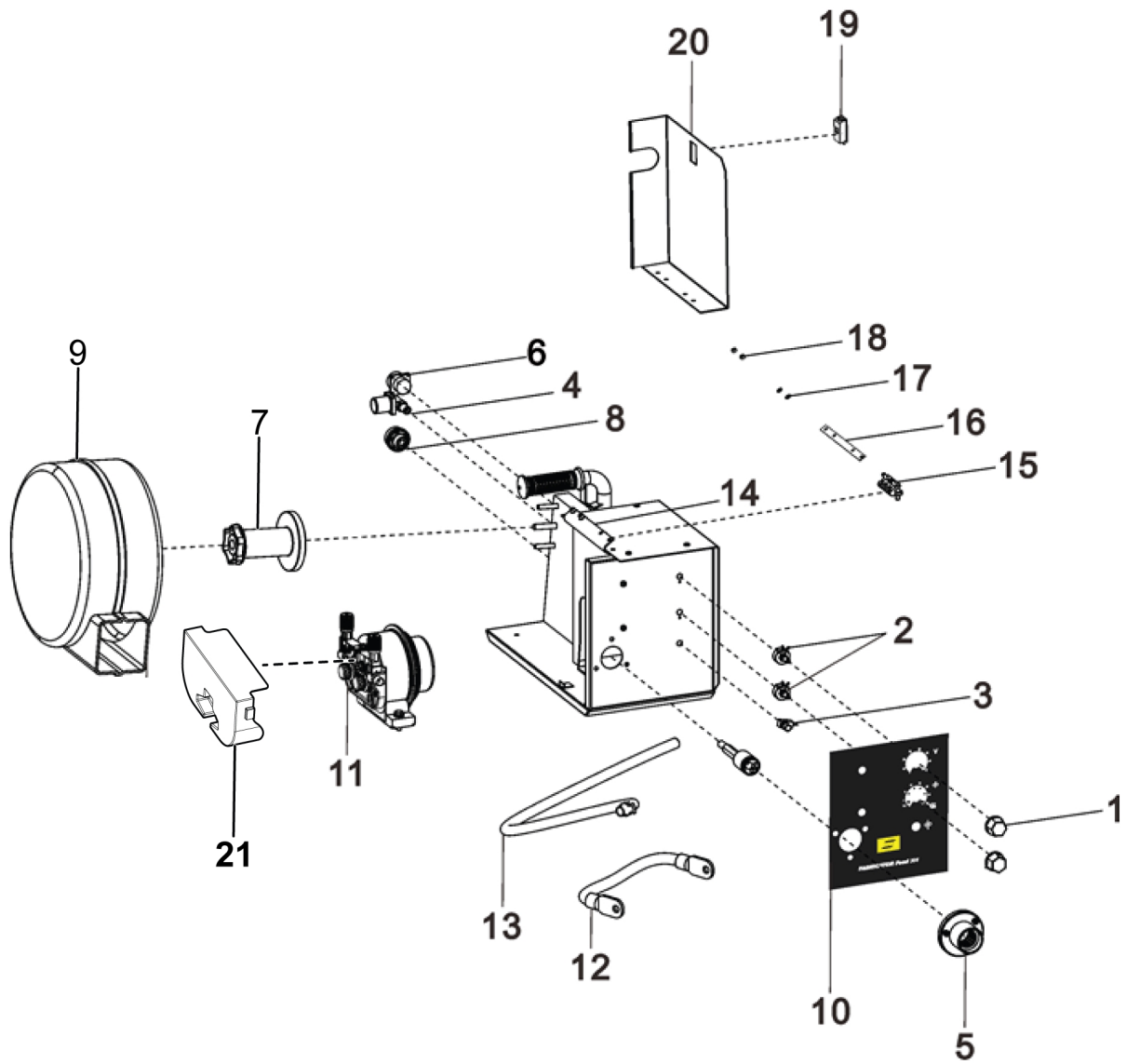
1 SPARE PARTS

1.1 Feeder

Item	Qty	Ordering no.	Denomination	Notes
1	2	0700 020 052	Knob	Voltage and WFS
2	2	0700 020 053	Potentiometer with harness	Voltage and WFS
3	1	0700 020 054	Wire inching button with harness	
4	1	0700 020 057	Solenoid valve	
5	1	0700 501 004	Bushing with Euro connector	
6	1	0700 501 006	Socket with control cable harness	Includes joint cap terminal (7nos)
7	1	0700 501 005	Brake hub	
8	1	0160 609 881	OKC connector	
9	1	0700 501 007	Wire spool cover	
10	1	0700 501 008	Decal	Voltage, WFS and Inching
11	1	0700 020 051	Wire feed mechanism, complete	
12	1	0700 501 009	Copper cable	
13	1	0700 501 010	Gas hose	Includes clamp
14	1		Rubber gasket	See item 104
15	2		Hinges	See item 104
16	2		Binder plate	See item 104
17	8		Washer	Ø6, See item 104
18	8		Nut	M6, See item 104
19	1		Side panel door lock	See item 104
20	1	0700 501 017	Side panel door	
21	1	0464 752 275	Plastic cover, feeder mechanism	

Spare parts kits

Item	Qty	Ordering no.	Denomination	Notes
104	1	0700 501 011	Left side panel door assembly kit	Item 14 (Qty: 1) Item 15 (Qty: 2) Item 16 (Qty: 2) Item 17 and 18 (Qty: 8) Item 19 (Qty: 1)

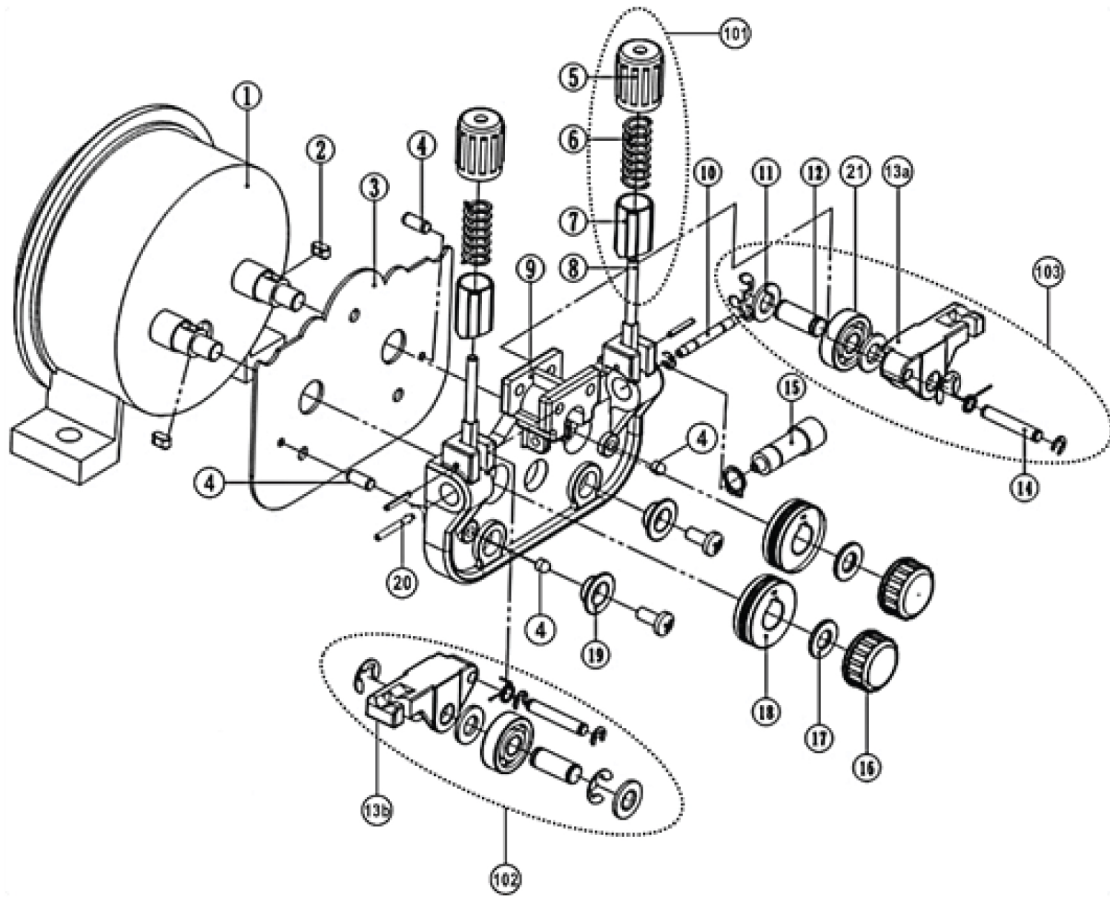


1.2 Wire feed mechanism

Item	Qty	Ordering no.	Denomination	Notes
1	1	0700 020 063	Motor, wire feed	24 V DC (item 4 included)
2	2	0700 020 064	Woodruff key	5×5×10
3	1	0700 020 065	Double drive insulation plate gasket thickness = 2	
4	2		Cylindrical pin	Ø3×16 (included in item 1)
5	2		Pressure knob	Included in item 101
6	2		Handle spring	Included in item 101
7	2		Pressure handle sleeve	Included in item 101
8	2		Pressure handle bolt	Included in item 101
9	1	0700 020 071	Bracket	
10	1	0700 020 072	Intermediate guide	Ø5×Ø3×44
11	2		Washer	Included in item 102/103
12	1		Roller shaft of pressure roller frame	Included in item 102/103
13a	1		Pressure roller frame right	Included in item 102
13b	1		Pressure roller frame left	Included in item 103
14	1		Roller shaft of pressure	Included in item 102/103
15	1	0700 020 077	Double-drive guide wire nozzle	
16	2	0700 020 078	Roller locking nut	
17	2		Washer	
18	2		Feed roller	Refer wear parts list
19	2		Nylon washer	
20	1		Outlet guide	Refer wear parts list
21	1		Pressure roller	Included in item 102/103

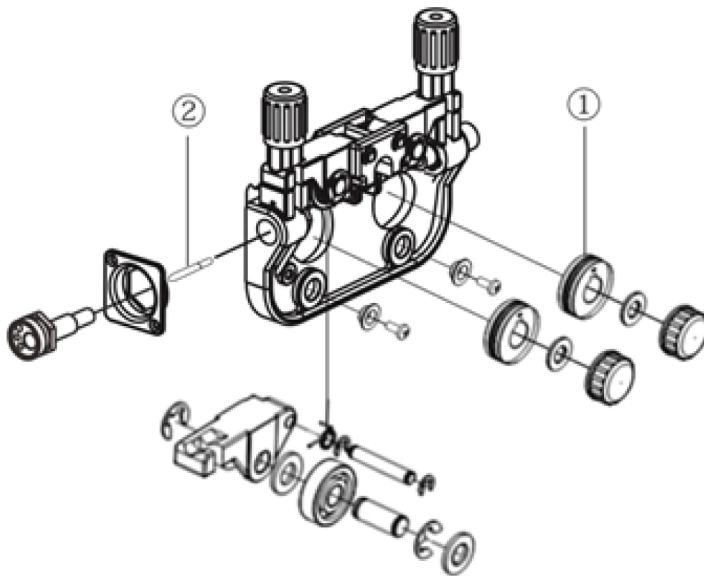
Spare parts kits

Item	Qty	Ordering no.	Denomination	Notes
101	1	0700 020 067	Pressure knob handle set	Includes items 5, 6, 7 and 8
102	1	0700 020 096	Pressure roller assembly set left	Includes items 11, 12, 13b, 14, 21 and circlips
103	1	0700 020 068	Pressure roller assembly set right	Includes items 11, 12, 13a, 14, 21 and circlips



1.3 Wear parts

Item	Qty	Ordering no.	Denomination	Notes
1	2	0700 020 099	Feed Roller, Ø0.8 - 1.0 mm, V groove	For Fe and Ss wires
	2	0700 020 085	Feed Roller, Ø1.0 - 1.2 mm, V groove	For Fe and Ss wires
	2	0700 020 086	Feed Roller, Ø1.2 - 1.6 mm, V groove	For Fe and Ss wires
	2	0700 020 066	Feed Roller, Ø1.2 - 1.2 mm, V groove	For Fe and Ss wires
	2	0700 020 070	Feed Roller, Ø1.2 - 1.2 mm, Knurled V groove	For cored wires
	2	0700 020 087	Feed Roller, Ø1.2 - 1.6 mm, Knurled V groove	For cored wires
2	1	0700 020 082	Outlet Guide (Ø4 × Ø2 × 46)	SS Tube incl. circlip
	1	0700 020 083	Outlet Guide (Ø4 × Ø1.6 × 46)	SS Tube incl. circlip





A WORLD OF PRODUCTS AND SOLUTIONS.



For contact information visit <http://esab.com>

ESAB AB, Lindholmsallén 9, Box 8004, 402 77 Gothenburg, Sweden, Phone +46 (0) 31 50 90 00

manuals.esab.com

